

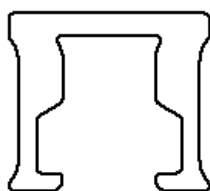
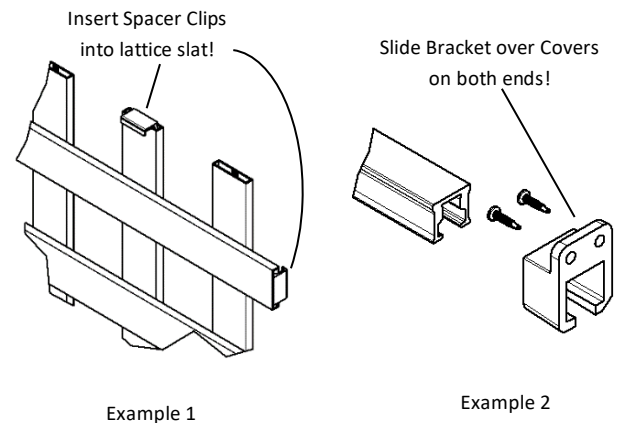
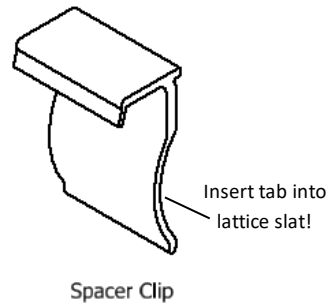
# Permalatt Aluminum Lattice

## 2" Square 4' x 8' Lattice Panel

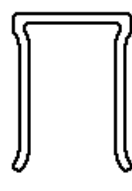
### U-Channel Installation Instructions

- It is the responsibility of the installer to meet all code and safety requirements, and to obtain all required building permits. The installer should determine and implement the installation techniques appropriate for each unique installation situation. Permalatt Products, Inc. and its distributors shall not be held liable for improper or unsafe installations.

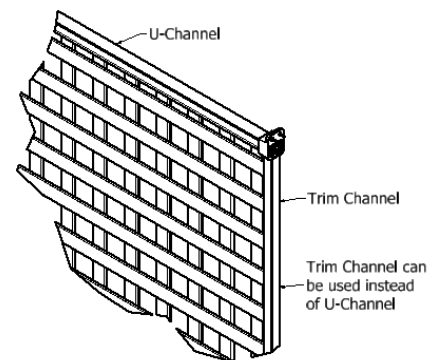
- Rough opening for 4' x 8' lattice full panel with clips and cover is 96¼". Lattice panels can be cut down for smaller size openings. If horizontal slat is less than ½" from vertical slat on the end, spacer clips are optional.
- Insert spacer clips into lattice slats (Top/Bottom 12 required). Insert spacer clips on both ends of panel (8 required). When inserting clips, make sure they are positioned as shown in (Example 1)
- Cut top and bottom U-channel to fit in rough opening of lattice panel.
- Slide mounts onto the ends of top and bottom U-channels, as shown in (Example 2)
- Slide top and bottom U-channel over the panel and the spacer clips. Tap with rubber mallet, if needed.
- Cut trim channel to fit between the top and bottom mounts. Slide trim channel over the end of the panel and the spacer clips.
- Insert panel into place between post. Make sure you are centered on post. Slide mounts out to post and screw into place with self-tapping screws. (Example2)



U-Channel



Trim Channel

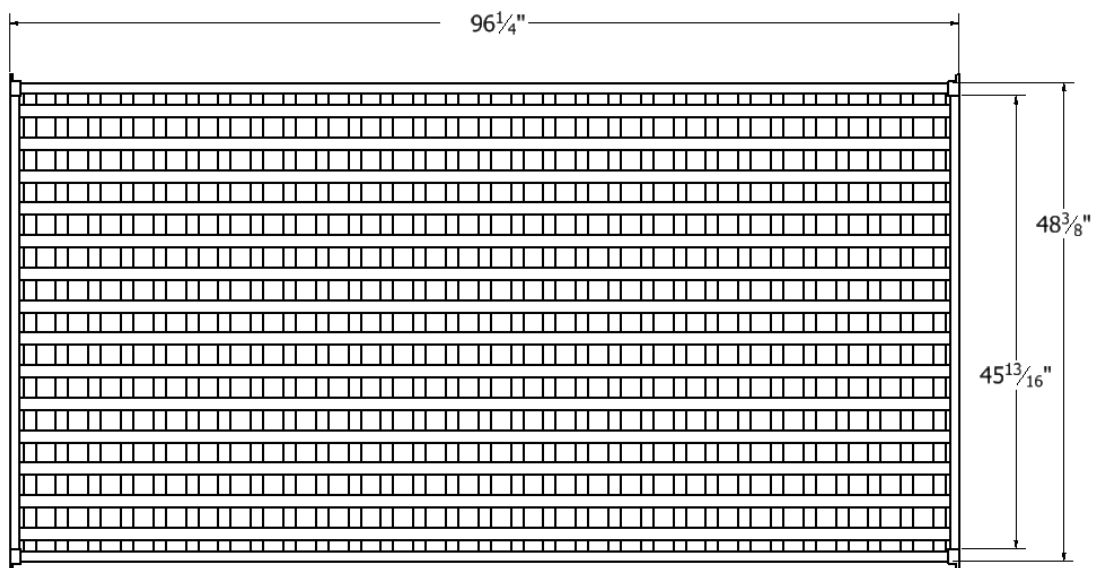
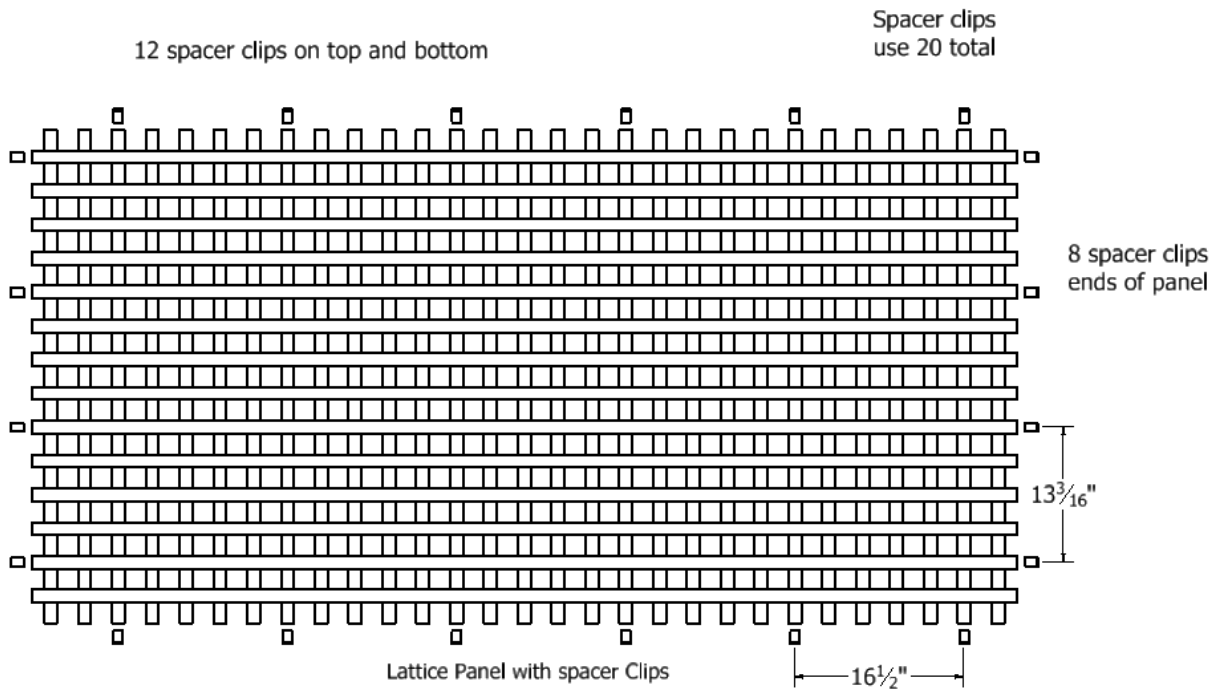


# Permalatt Aluminum Lattice

## 2" Square 4' x 8' Lattice Panel

### U-Channel Installation Instructions

- It is the responsibility of the installer to meet all code and safety requirements, and to obtain all required building permits. The installer should determine and implement the installation techniques appropriate for each unique installation situation. Permalatt Products, Inc. and its distributors shall not be held liable for improper or unsafe installations.



Lattice Panel with covers