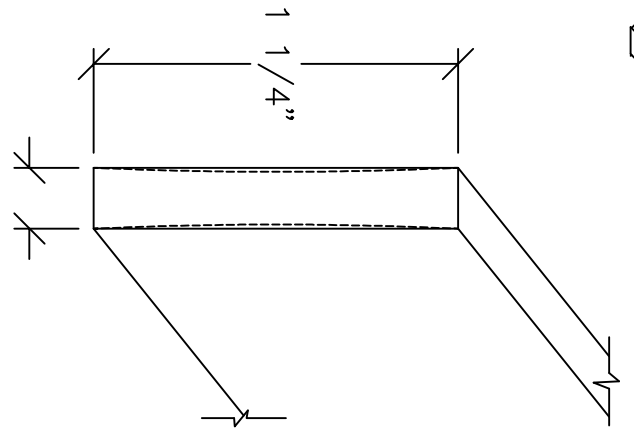
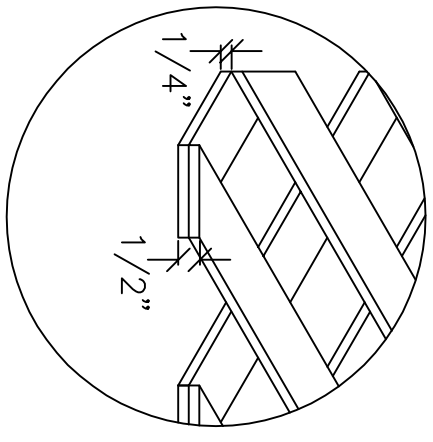
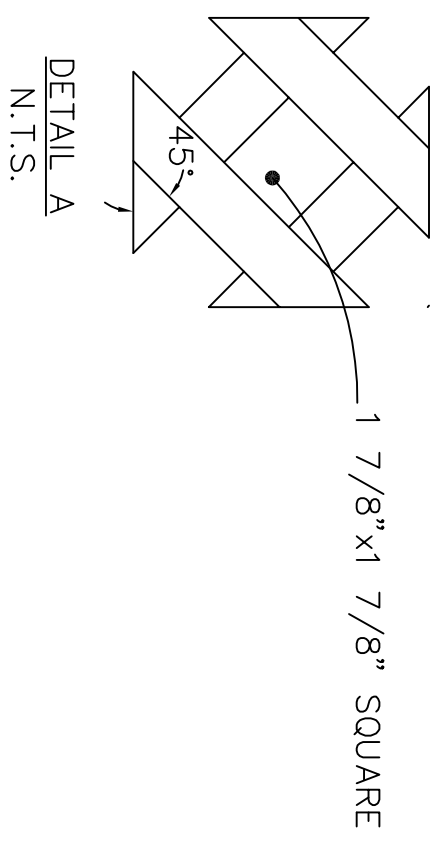


SEE DETAIL B
PATTERN: 1-7/8" DIAGONAL



NOTE: PATTERN ALSO AVAILABLE IN 4'x6' SHEETS

REVISIONS:	<p style="text-align: center;">PERMALATT PRODUCTS, INC.</p> <p style="text-align: center;">3462 US 6E, BREMEN, IN 46506</p>		SCALE:	N.T.S.	APPROVED BY:	EH
TREARBO1			MODEL:	1 7/8" DIAGONAL	DATE:	10/16/98
	TITLE:	DuraShell® VINYL LATTICE	DRAWN BY:	TH	DRAWING NO:	1