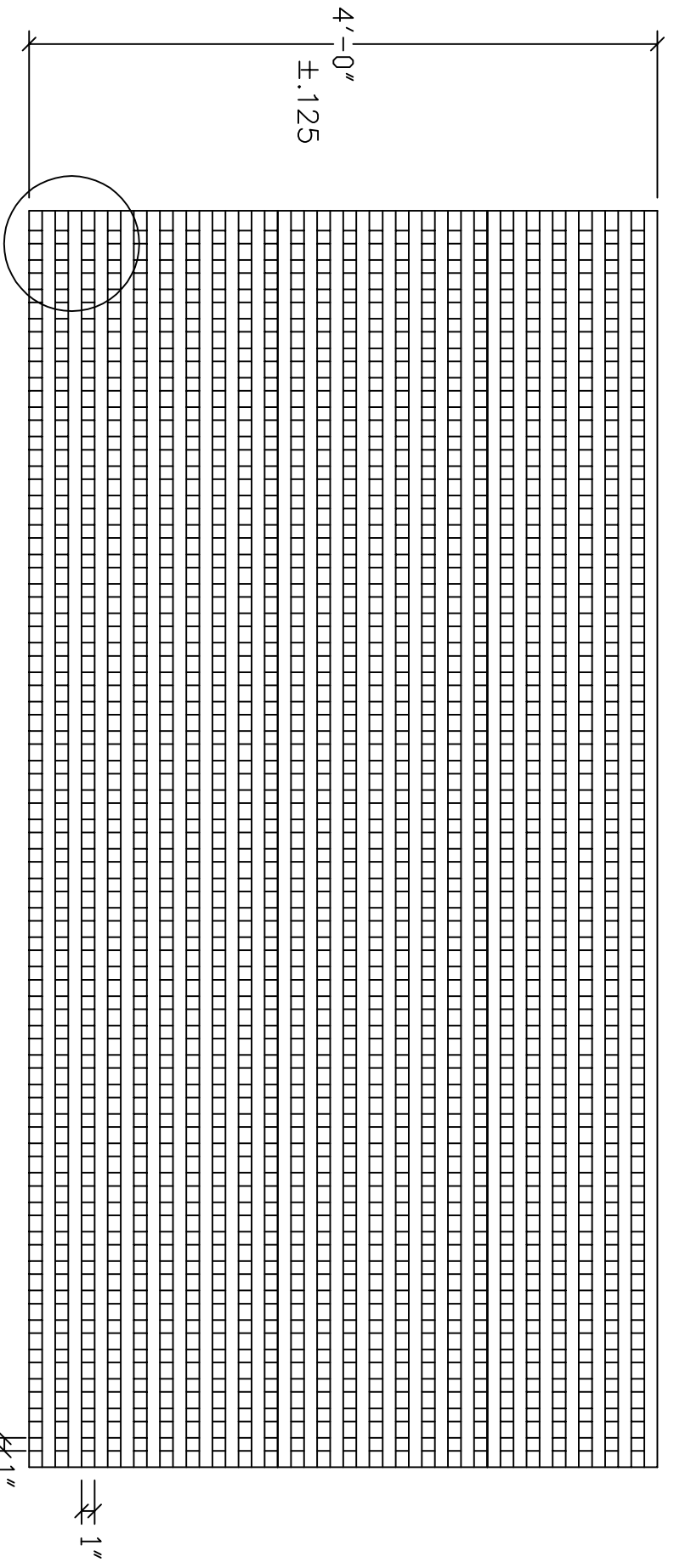


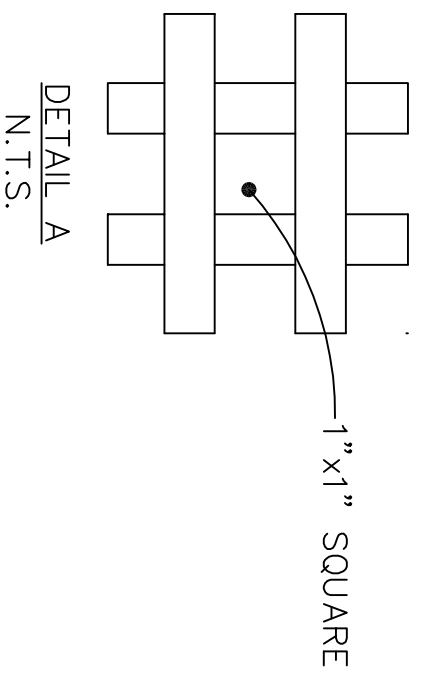
8'-0"
±.125



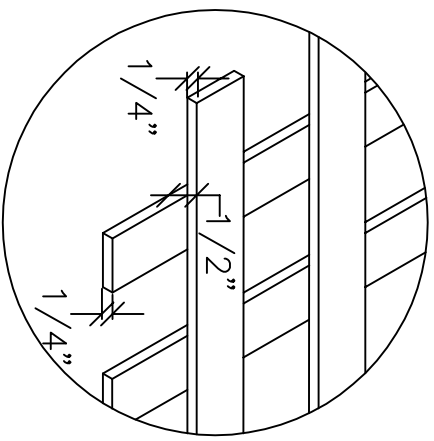
4'-0"
±.125

SEE DETAIL B

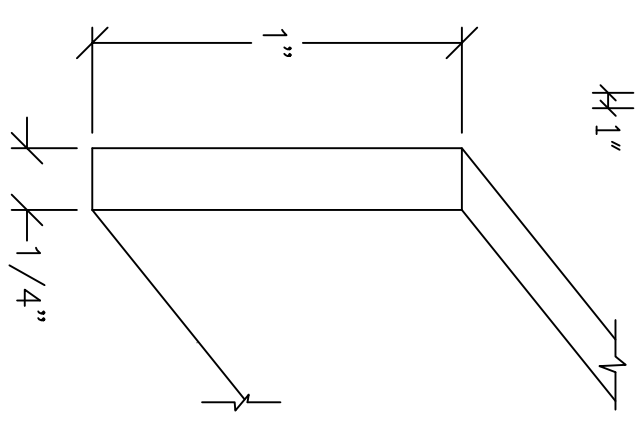
PATTERN: 1" RECTANGULAR



DETAIL A
N.T.S.



DETAIL B
N.T.S.



DETAIL C
N.T.S.

NOTE: PATTERN ALSO AVAILABLE IN 4'x6' SHEETS

REVISIONS:

PERMALATT PRODUCTS, INC.
3462 US 6E, BREMEN, IN 46506

MODEL: 1" RECTANGULAR	TITLE: Durashell® VINYL LATTICE	SCALE: N.T.S.	APPROVED BY:
TREARBO1		DATE: 6/16/04	PROJECT NO:
		DRAWN BY:	DRAWING NO: