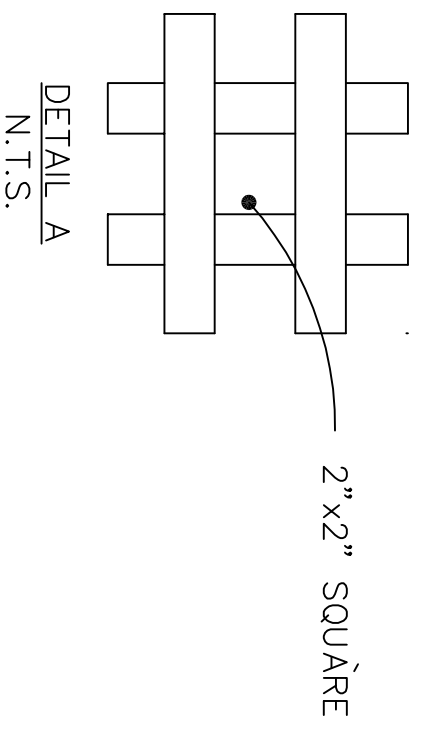
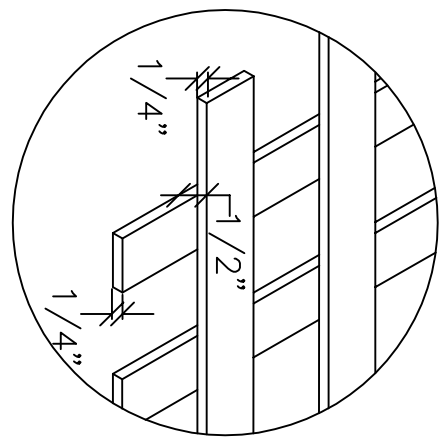


SEE DETAIL B

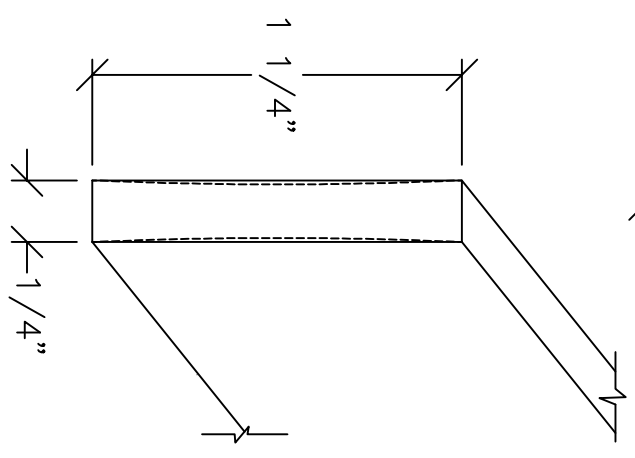
PATTERN: 2" RECTANGULAR



2"x2" SQUARE



DETAIL B
N.T.S.



DETAIL C
N.T.S.

NOTE: PATTERN ALSO AVAILABLE IN 4'x6' SHEETS

REVISIONS:

PERMALATT PRODUCTS, INC.

3462 US 6E, BREMEN, IN 46506

MODEL: 2" RECTANGULAR	TITLE: DuraShell® VINYL LATTICE	SCALE: N.T.S.	APPROVED BY: EH
TREARBO2		DATE: 10/19/98	PROJECT NO:
		DRAWN BY: TH	DRAWING NO: 1