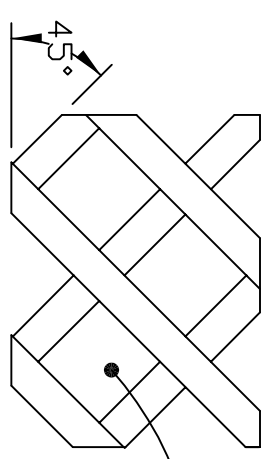


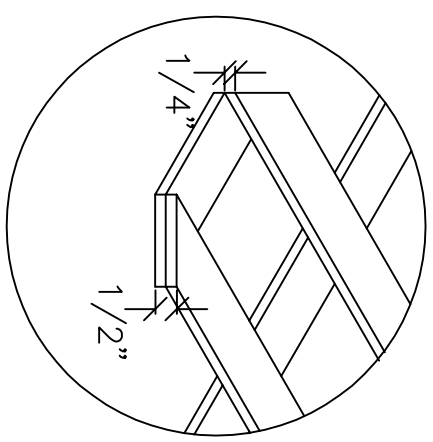
SEE DETAIL B

PATTERN: 2 3/4" DIAGONAL

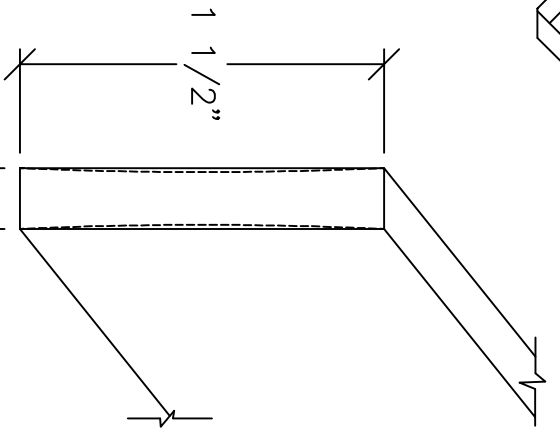


DETAIL A  
N.T.S.

2 3/4" x 2 3/4" SQUARE



DETAIL B  
N.T.S.



DETAIL C  
N.T.S.

NOTE: PATTERN ALSO AVAILABLE IN 4'x6' SHEETS

REVISIONS:

**PERMALATT PRODUCTS, INC.**

**3462 US 6E, BREMEN, IN 46506**

MODEL: 2 3/4" DIAGONAL	TITLE: DuraShell® VINYL LATTICE	SCALE: N.T.S.	APPROVED BY: EH
TREARBO3		DATE: 10/19/98	PROJECT NO:
		DRAWN BY: TH	DRAWING NO: 1